

oursson 

bon appétit

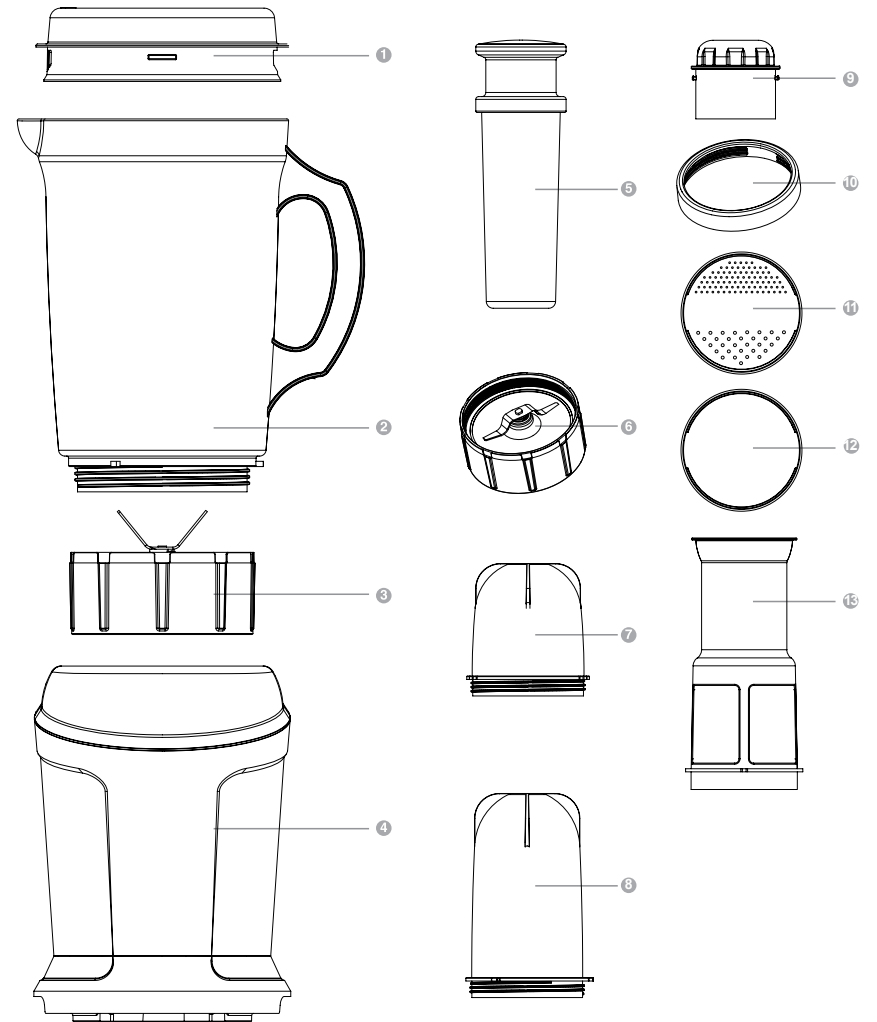
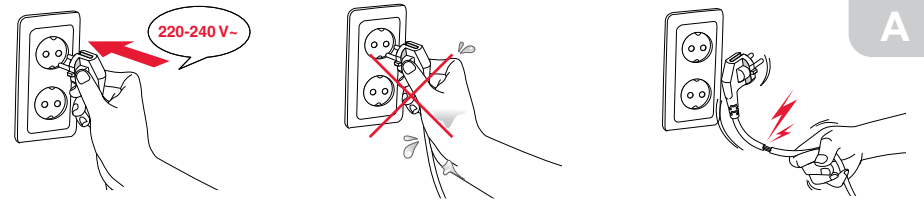


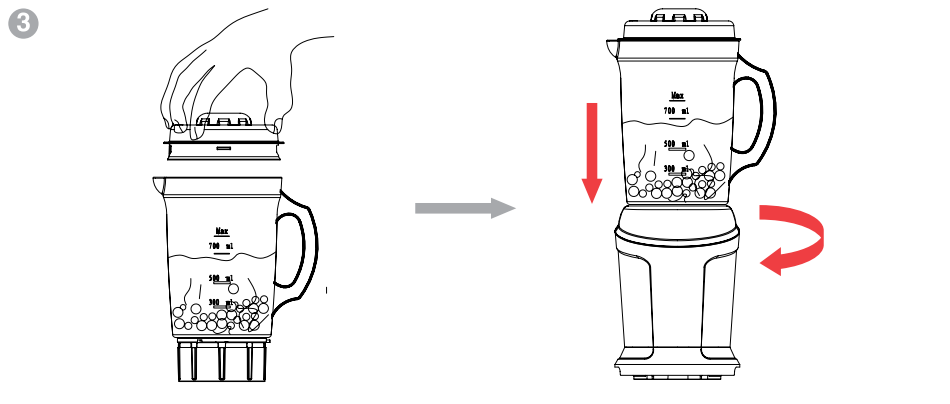
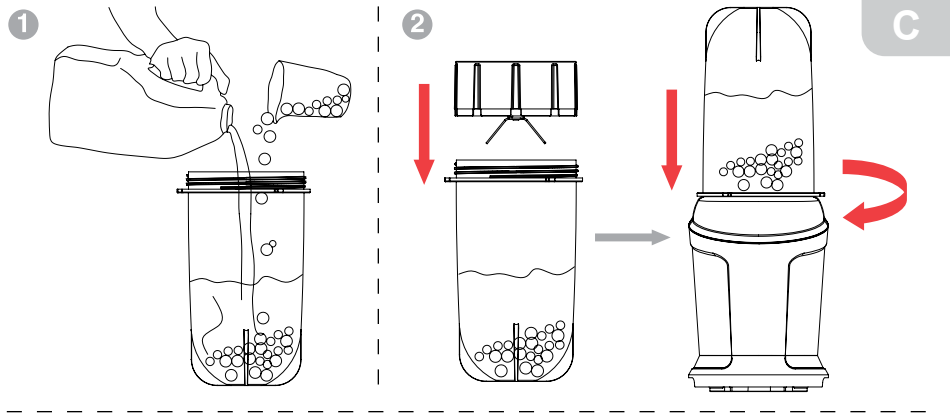
**MULTI-BLENDER ENERGY BULLET  
BL1000TD**

**EN** Instruction manual

**RU** Руководство по эксплуатации







|  | ✓ | ✗ | ✓ |
|--|---|---|---|
|  | ✗ | ✗ | ✓ |
|  | ✓ | ✓ | ✓ |

**SAFETY INSTRUCTIONS, Fig. A**

**Danger symbol**  
A reminder to user about high voltage.

**Warning symbol**  
A reminder to user about the necessity of operating exactly according to the instructions.

When using electrical appliances should take the following precautions:

- Use the device according to the following instructions manual.
- Install the device on a stable surface.
- Use only the tools, which are included in the product set.
  - To protect against risk of electrical shock do not put the cord in water or other liquid. If for some reason the water got into the unit, contact an authorized service center (ASC) OURSSON.
- For power supply, use a power grid with proper characteristics.
- Do not use the device in areas where the air can contain vapors of flammable substances.
  - Never attempt to open the device by yourself – it could possibly be the reason of an electrical shock can lead to product malfunction and will invalidate the manufacturer’s warranty. For repair and maintenance, contact only authorized service centers meant for repair of products under the trademark OURSSON.
- When moved from a cool to a warm place and vice versa unpack it before use and wait 1-2 hours without turning it on.
  - In order to prevent electrical shock do not immerse the entire product or the wires into the water.

- Be particularly careful and cautious when using the device near children.
- Do not touch any hot parts, as this may cause injury.
- The power cord is specially made relatively short in order to avoid the risk of injury.
- Do not allow the cord to hang over the sharp edge of the table or touch hot surfaces.
- Do not connect this device to a grid which is overloaded with other appliances: it can lead to the fact that the device will not function properly.
- Do not install the device near gas and electric stoves and ovens.
- After use, make sure to disconnect the device from the power grid.
- Keep the device from bumps, falls, vibration and other mechanical influences.
- Make sure to disconnect the device from the power grid before cleaning or changing accessories.
- Do not use the device outdoors.
- This appliance is not intended for use by persons (including children) with reduced physical, sensory or mental capabilities, or lack of

- experience and knowledge. They can only use the device under the supervision of the person responsible for their safety, or after instruction on the safe use of the device. Do not allow children to play with the product.
- This product is intended only for use in the home.
- If the power cord is damaged, it must be replaced by a specialist from the authorized service center (ASC) OURSSON to avoid danger.
- Use only the tools, which are included in the product set.
- When cleaning the appliance do not use abrasives and organic cleaners (alcohol, gasoline, etc.). When cleaning the device it is allowed to use a small amount of neutral detergent.

**RECOMMENDATIONS**

- Please read the instruction manual before using the device. Keep the manual after reading for further use.
- All illustrations in this manual are schematic representations of real objects, which may differ from the actual images.
- For the blades to remain sharp, do not use the device to grind very hard products.

The device is equipped with a safety lock. If the plastic cup and lid are incorrectly installed, you will not be able to turn on the device.

The operation of this device in any case does not imply application of any force to it, as this may damage the product due to user fault.

## PRODUCT SET

|  |        |
|--|--------|
| Device's body Multi-Blender Energy Bullet..... | 1 pcs. |
| Flat blade set with 2 knives .....             | 1 pcs. |
| Cross blade set with 4 knives .....            | 1 pcs. |
| Large cup 500 ml.....                          | 1 pcs. |
| Small cup 280 ml.....                          | 1 pcs. |
| Shaker tops .....                              | 1 pcs. |
| Comfort-drinking ring .....                    | 1 pcs. |
| Storage lid .....                              | 1 pcs. |
| Blender jar set 700 ml.....                    | 1 pcs. |
| Plunger .....                                  | 1 pcs. |
| Instruction manual .....                       | 1 pcs. |
| Warranty card .....                            | 1 pcs. |

## ELEMENTS OF DESIGN, Fig. B

- ① The lid
- ② Blender jar 700 ml.
- ③ Cross blade set with 4 knives
- ④ Device's body Energy Bullet
- ⑤ Plunger for juicer.
- ⑥ Flat blade set with 2 knives
- ⑦ Small cup 280 ml
- ⑧ Large cup 500 ml
- ⑨ Measuring cup
- ⑩ Comfort-drinking ring
- ⑪ Shaker top
- ⑫ Storage lid
- ⑬ Filter for juicer

## UTILIZATION OF MULTI-BLENDER ENERGY BULLET, Fig. C.

Unpack the device and remove all packaging material. Keep the warning labels (if available) and the sticker with the serial number of the product on the case in place. It is recommended to keep the original packaging and warranty card during the warranty period.

Immediately after opening the original packaging (sometimes during the first days of using the device), an extraneous odor (the smell of a new device) may be felt, which is not a sign of a malfunction of the device and does not affect its performance. Over time, the foreign smell disappears.

### Order of operation. Fig. C-1.

1. Place the Multi-Blender Energy Bullet on a solid, flat, non-slip surface. Fill the large cup with the ingredients. Make sure that the load level does not exceed the maximum marks.
2. Fig. C-2. Choose one of the removable blades provided: a flat blade with 2 knives is recommended to use for solid foods (coffee, spices, nuts and etc.), a cross blades with 4 knives use for soft vegetables and fruits for more thorough chopping. Place the blade on the ingredients bowl, turn the mixing bowl upside down, align the arrows on the base and place the bowl in the blender.
3. Plug in the device to the network with the appropriate characteristics. For quick chopping, press on the large cup, small cup or juicer and keep it pressed. To stop the grinding process, release the mixing cup and keep it from falling. To lock the cup in the hand

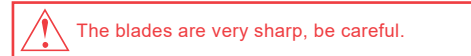
blender, press and turn it clockwise. To stop, turn the bowl counterclockwise to stop (keep it from falling).

### Juicer assembly. Fig. C-3.

1. Place the cross blade with 4 knives on the bottom of the juicer.
2. Insert the filter into the center of the jug of the juicer, making sure that the ribs are in the troughs inside the jug.
3. Cover the jug and adjust spill on the spout. Make sure, the cover is tight and the filter is installed correctly.
4. Place the jug on the blender base.

**Before first use, make one preparation cycle without ingredients,** add water into the glass cup. After that, wipe the body of the device with a dry soft cloth. Wash the cup, lid, pusher, measuring cup and stainless steel knives with **warm water** and detergent.

**Before assembling and disassembling the device, make sure it is unplugged.**



### NOTE:

1. Do not operate the appliance longer than 3 minute each time. If you have not finished blending after 3 minute, switch the appliance off and wait 1 minute before you continue using it.
2. Products are placed into the cup until the device is turned on. Make sure that the cup is filled with products no more than 2/3 of the volume of the jug.
3. It is recommended to peel the products, seeds and inedible parts before chopping / mixing.
4. It is not recommended to use this blender for products such as frozen vegetables / fruits, coconut, cereals and more.

### Operation juicer Energy Bullet.

1. Select the juice ingredients, they should be the right size in the filter of the juicer, put them in the jug for squeezing.
2. Remove the top glass cover, place the glass on the base of the juicer, press the blender and turn it clockwise to turn on automatic mode. Blades clogging could be result from engine damage, make sure the engine ran before you put the ingredients in the juicer.
3. Add ingredients through the hole in the center of the juicer. Press the ingredients against the blade with a plunger. Juice will form in the blender jar around the filter.
4. Pour juice into the mugs from the blender jar, after removing the filter. Be careful to keep the flesh separate from the juice.

### NOTE:

1. If the ingredients stick to the walls of the jar during operation, use the plunger.
2. If the blades get stuck in automatic mode, unplug the blender immediately. Sometimes solid ingredients get stuck in the blades and need to be cleaned immediately before proceeding. If an obstacle occurs during the blender operation in the movement of the blades, engine damage can occur.



The device is equipped with overload and overheating protection. If there is an overload or an overheating, the device will automatically stop. Unplug the device. Let it cool for 45 minutes. After that, you can continue using the device.



When grinding hard products, do not use the device more than for 1 minute. Let the device cool for at least 5 minutes.



Maximum time of continues use of the blender is 1 minutes, after that you need to turn off the device and let it cool for 3 minutes. Do not use the device without water or ingredients.

## PREPARATION RECOMMENDATIONS

Type of blades.

| Type load                                | Cross blade set with 4 blades | Flat 2 blades |
|--|-------------------------------|---------------|
| Fruits and water or vegetables and water | YES                           | NO            |
| Meat or Beef                             | YES                           | NO            |
| Coffee bean or Grain                     | NO                            | YES           |

General recommendations on the volume of ingredients, the type of bowl and blades.

| Type load                               | Type of bowl and blades                       | Max capacity                      | Max time of working                           |
|---|---|-----------------------------------|---|
| Fruits or vegetables with water or milk | Bowl 500 ml and cross blade set with 4 blades | 180 g dry product + 320 ml liquid | 2 min with a break of 1 min.<br>10 cycles max |
| Meat or Beef                            | Bowl 500 ml and cross blade set with 4 blades | 350 g product                     | 15 sec with a break of 2 min.<br>3 cycles max |
| Coffee bean or grain                    | Small cup 280 ml and flat blade with 2 blades | 100 g dry product                 | 30 sec with a break of 1 min.<br>3 cycles max |

## CLEANING AND MAINTENANCE, Fig. D



- Wash the cup, lid, pusher, measuring cup and stainless steel knives with warm water and detergent.
- Wipe the body with a damp cloth. Never immerse it in water because of the danger of electric shock.
- Thoroughly dry all parts.



The knives are very sharp, be careful.

## CLEANING THE BLENDER'S CUP

| Operation                                      | Maximum capacity or weight of the ingredients | Time, min | Note   |
|--|---|-----------|--|
| Pour warm water into the cup and add detergent | 500 ml  | 3 min.    | After washing, completely disassemble the cup's base, rinse and dry the knives. Do not use harsh detergents. |

## POSSIBLE PROBLEMS AND SOLUTIONS

| Possible Problem  | Possible Cause   | Solutions   |
|---|--|---|
| <b>The blender does not turn on.</b>                        | The power cord is not connected to the mains or the parameters of the mains do not match the power consumption specifications, declared in the technical specifications of the device. | Connect the power cord to the mains with appropriate specification.   |
| <b>The blender stopped during working.</b>                  | Engine overheated, overload protection tripped.  | Turn off the blender, disconnect it from the power supply. Wait 15-40 minutes, allow the engine to cool. Continue to work as usual.                 |
| <b>The engine overheated, an unpleasant smell appeared.</b> | The volume of products for processing was exceeded or continuous operation time was exceeded.  | Turn off the device, disconnect it from the power supply. Reduce the number of processed foods, wait the engine cooling. Continue to work as usual. |
| <b>The engine is running, but the blades do not rotate.</b> | Adapter or drive shaft were broken.  | Contact to service center.  |

## PRODUCT CERTIFICATION

For information on product certification, see <http://www.oursson.ru> or ask seller for a copy.

| SPECIFICATIONS  |                      |
|---|----------------------|
| Model   | BL1000TD             |
| Power consumption, W  | 300                  |
| Blender's cup capacity, ml                                      | 500                  |
| Blender jar capacity, ml  | 700                  |
| Material of the blender's cup                                   | Tritan               |
| Motor's rotation frequency                                      | 21000 rpm ± 15%      |
| Noise level   | max 80 dB            |
| Rated voltage   | 220-240 V~; 50-60 Hz |
| Protection against electric shock                               | II                   |
| Storage and transportation temperature requirements             | from -25°C to +35°C  |
| Operation temperature requirements                              | from +5°C to +35°C   |
| Humidity Requirements for transportation, storing and operation | 15-75%               |
| Body dimensions, mm   | 120×120×350          |
| Weight, kg  | 1,7                  |

\*Products should be stored in dry, ventilated warehouses at temperatures below - 25°C.



Reparation must be performed only by a qualified personnel authorized by OURSSON service center.

## SERVICING

Company OURSSON expresses great appreciation to you for choosing our products. We have done everything possible so that this meets your needs, and the quality corresponds to the best world standards. If your OURSSON branded product will need maintenance, please contact one of the authorized service center (hereinafter - ASC). A complete list of ASC and their exact addresses can be found on the website [www.oursson.com](http://www.oursson.com).

### Warranty obligations OURSSON:

- Warranty obligations OURSSON, provided ASC OURSSON, apply only to models designed OURSSON for the production or supply and sale within the country where the warranty service is provided, purchased in this country, certified for compliance with the standards of this country, and also marked the with official marks of conformity.
- Warranty obligations OURSSON operate within the law on protection of consumer rights and are regulated by the laws of the country in which they are provided, and only when the product is used exclusively for personal, family or household purposes. Warranty obligations OURSSON shall not apply to uses of goods for business purposes or in connection with the acquisition of goods to meet the needs of enterprises, institutions and organizations.
- OURSSON sets for its products the following terms of use and warranty periods:

| Product name   | Terms of use, months | Warranty Period, months |
|--|----------------------|-------------------------|
| Multicookers, kitchen processors, kitchen machines, electric kettles, electric grills, hand blenders, hand mixers, meat grinders, blenders, kitchen scales, coffee grinders, toasters, thermopots, coffee makers, steamers, juicers, choppers, multi-cutters, dehydrators, yogurt makers, fermenters, mini-oven, freezers, refrigerators, automatic coffee machines, milk frother, homemade soda, breadmakers, microwave ovens, vacuum sealers, waffle makers, pancake makers, doughnuts, sandwich makers, multi-bakers, vertical rotisserie (kebabs-maker), dishwashers, syphons. | 60                   | 24                      |

- Warranty obligations OURSSON shall not apply to the following products, if their replacement is assumed and is not connected with disassembling products:
  - Batteries.
  - Cases, straps, cords for carrying, mounting accessories, tools, documentation that came with the product.

5. Warranty does not cover defects caused due to violations of the rules of consumer use, storage or transportation of the goods, actions of third parties or force majeure, including but not limited to the following cases:

- If the defect was a result of careless handling, used for other purposes, violations of conditions and rules of operation set forth in the instruction manual, including as a result of exposure to high or low temperatures, high humidity or dust, traces of opening the device independently and/ or self-repair, mismatch state standards for power grids, getting liquids, insects or other foreign objects, substances inside the device, as well as long-term use of the product in extreme operational modes.
  - If the defect of the product was a result of unauthorized attempts to test the product or make any changes in its construction or software programs, including repair or maintenance in unauthorized service centers.
  - If the defect of the product was a result of use of non-standard and/or low quality equipment, accessories, spare parts, batteries.
  - If the defect of the product is associated with its use in conjunction with additional equipment (accessories), other than additional equipment recommended by OURSSON for use with this product. OURSSON is not responsible for the quality of the additional equipment (accessories) manufactured by third parties, for the quality of its products together with such equipment, as well as the quality of the work of the additional equipment of OURSSON together with the products of other manufacturers.
6. Product defects detected during the lifetime of the product are eliminated by the authorized service centers (ASC). During the warranty period, elimination of defects is free of charge with the presentation of the original certificate of guarantee and documents that confirm the fact and date of the contract of retail purchase. In the absence of such documents, warranty period is calculated from the date of manufacture of goods. It should be taken into account:
- Setup and Installation (assembly, the connection, etc.) of the product described in the documentation attached to it, does not enter the scope of warranty OURSSON and can be performed by the user as well as the specialists of most authorized service centers on a paid basis.
  - Work upon maintenance of products (cleaning and lubricating the moving parts, replacement of consumables and supplies, etc.) are made on a paid basis.
7. OURSSON is not responsible for any damage directly or indirectly caused by their products to people, pets, property, if it occurred as a result of non-observance of the rules and conditions of use, storage, transportation or installation of the product, intentional or negligent actions of consumer or third parties.

8. Under no circumstances, OURSSON is not responsible for any special, incidental, indirect or consequential loss or damage, including but not limited to: lost profits, damages caused by interruptions in the commercial, industrial or other activities, arising from the use of or inability to use the product.
9. Due to continuous product improvement, design elements and some technical specifications are subject to change without prior notice from the manufacturer.

#### Using the product when after the terms of use (lifetime):

- Lifetime set by OURSSON for this product applies only when the product is used exclusively for personal, family or household needs, as well as the consumer observes the correct operation, storage and transportation of products. Under the condition of careful handling of the product and compliance with the rules of operation the actual life may exceed the lifetime set by OURSSON.
- At the end of the product lifetime, you should contact an authorized service center for to conduct a preventive maintenance of the product and determine the suitability for further use. Work on conducting a preventive maintenance of the products is also made in service centers on paid basis.
- OURSSON does not recommend the use of this product after the end of its lifetime without its preventive maintenance by the authorized service center, since in this case, the product can be dangerous to the life, health or property of the consumer.

#### Product Recycling and Disposal

This appliance has been identified in accordance with the European directive 2002/96/EG on Waste Electrical and Electronic Equipment – WEEE. After the expiration of the lifetime, the product cannot be disposed with another household waste. Instead, it shall be deposited in the appropriate recycling collection point for electrical and electronic equipment for proper treatment and disposal in accordance

with federal or local law. By disposing correctly this product, you will help to conserve natural resources and preventing the product from damaging the environment and human health. For more information on the collection point and recycling of this product, please contact your local municipal authorities or the enterprise for household waste disposal.



#### Date of manufacture

Each product has a unique serial number in the form of alphanumeric row and is duplicated with a barcode that contains the following information: name of the product group, date of manufacture, serial number of the product.



Serial number is located on the rear of the product, on the package and the warranty card.

- The first two letters-correspondence to the product group (blender - BL).
- The first two digits – year of manufacture.
- The second two digits – month of manufacture.
- The last two digits – serial number of product.

⚠

To avoid misunderstandings, we highly recommend you to read carefully the instruction manual and the warranty obligations. Check the correctness of the warranty card. Warranty card is valid only if the following are correctly and clearly stated: model, serial number, date of purchase, clear stamps, buyer's signature. The serial number and the model of the device must be the same as in the warranty card. If these conditions are not fulfilled or the data specified in the warranty card was changed, the warranty card is invalid.



If you have questions or problems with OURSSON products - please contact us by e-mail: support@oursson.com

This manual is under protection of international and EU copyright law. Any unauthorized use of the instructions, including copying, printing and distribution, but not limited to, involves the application of the guilty person to civil liability and criminal liability.

Contact information:

- Manufacturer of goods - Ningbo Dazhou Electric Appliance Co., Ltd. No.78 Modaoqiao Road., Yuyao City, Zhejiang Province, P.R. China. Made by order «OURSSON LTD.».
- Certification information product available on the website www.oursson.ru.

OURSSON  
Made in China



## ИНСТРУКЦИЯ ПО БЕЗОПАСНОСТИ, Рис. А



#### Символ опасности

Напоминание пользователю о высоком напряжении.



#### Символ предупреждения

Напоминание пользователю о необходимости проведения всех действий в соответствии с инструкцией.

Внимательно прочитайте это руководство и должным образом сохраните его для использования в будущем при необходимости.

Пожалуйста, строго следуйте указаниям, приведенным ниже, любые действия, игнорирующие указания, могут привести к получению вами травм или нанесению вреда другим. При использовании электрических приборов следует соблюдать следующие меры предосторожности:

- Используйте прибор согласно данному руководству по эксплуатации.
- Устанавливайте прибор на устойчивую поверхность.
- Используйте только приспособления, входящие в комплект устройства.
  - Чтобы предотвратить риск пожара или удара током, избегайте попадания в устройство воды и эксплуатации устройства в условиях высокой влажности. Если по каким-то причинам вода попала внутрь устройства, обратитесь в уполномоченный сервисный центр (УЦЛ) OURSSON.
- Для электропитания прибора используйте электросеть с надлежащими характеристиками.
- Не используйте прибор в помещениях, где в воздухе могут содержаться пары легковоспламеняющихся веществ.
  - Никогда самостоятельно не вскрывайте устройство – это может стать причиной поражения электрическим током, привести к выходу прибора из строя и аннулирует гарантийные обязательства производителя. Для ремонта и технического обслуживания обращайтесь только в сервисные центры, уполномоченные для ремонта изделий торговой марки OURSSON.
- При перемещении устройства из прохладного помещения в теплое и наоборот распакуйте его перед началом эксплуатации и подождите 1-2 часа, не включая.
  - В целях предотвращения поражения электрическим током не допускайте погружения проводов или всего изделия в воду.
- Будьте особенно осторожны и внимательны, если рядом с работающим прибором находятся дети.
- Не дотрагивайтесь до горячих поверхностей прибора, это может привести к травме.
- Шнур питания специально сделан относительно коротким во избежание риска получения травмы.
- Не допускайте свисания шнура через острый край стола или его касания нагретых поверхностей.
- Не подключайте данный прибор к сети, перегруженной другими электроприборами: это может привести к тому, что прибор не будет функционировать должным образом.
- Не устанавливайте изделие вблизи газовых и электрических плит, а также духовок.
- Не используйте прибор при поврежденном шнуре

питания, а также в случаях, если нарушена нормальная работа изделия, если оно падало или было повреждено каким-либо другим образом.

- При отключении изделия от сети держитесь только за вилку, не тяните за провод – это может привести к повреждению провода или розетки и вызвать короткое замыкание.
  - По окончании использования отключите изделие от сети.
  - Оберегайте устройство от ударов, падений, вибраций и иных механических воздействий.
  - Обязательно отключайте устройство от сети перед началом мойки.
  - Не используйте изделие вне помещений.
  - Этот прибор не предназначен для использования людьми (включая детей) с ограниченными физическими, сенсорными или умственными способностями, или нехваткой опыта и знаний. Они могут пользоваться прибором только под наблюдением человека, ответственного за их безопасность, или после инструктажа по безопасному использованию прибора. Не позволяйте детям играть с изделием.
  - Настоящее изделие предназначено только для использования в быту.
  - Не используйте при чистке прибора абразивные материалы и органические чистящие средства (спирт, бензин и т.д.). Для чистки корпуса прибора допускается использование небольшого количества нейтрального моющего средства.
- ### РЕКОМЕНДАЦИИ
- Перед использованием устройства внимательно ознакомьтесь с руководством пользователя. После чтения, пожалуйста, сохраните его для использования в будущем.
  - Все иллюстрации, приведенные в данной инструкции, являются схематичными изображениями реальных объектов, которые могут отличаться от их реальных изображений.
  - Чтобы ножи не затупились, не используйте прибор для измельчения очень твердых продуктов.



Прибор оборудован защитной блокировкой. Если пластиковая чаша с крышкой установлены неправильно, вы не сможете включить прибор.



Эксплуатация данного прибора ни в коем случае не подразумевает применение к нему физической силы, так как это может привести к поломке изделия по вине пользователя.

## КОМПЛЕКТАЦИЯ

|  |       |
|--|-------|
| Блок электродвигателя мульти-блендера Energy Bullet.....         | 1 шт. |
| Блок с плоским ножом из нержавеющей стали с 2 лезвиями.....      | 1 шт. |
| Блок с перекрестным ножом из нержавеющей стали с 4 лезвиями..... | 1 шт. |
| Чаша для смешивания 500 мл.....                                  | 1 шт. |
| Чаша для смешивания сыпучих ингредиентов 280 мл.....             | 1 шт. |
| Крышка с отверстиями для сыпучих ингредиентов.....               | 1 шт. |
| Защитное кольцо для стакана.....                                 | 1 шт. |
| Крышка для хранения.....   | 1 шт. |
| Соковыжималка 700 мл. в сборе.....                               | 1 шт. |
| Толкатель.....   | 1 шт. |
| Руководство по эксплуатации.....                                 | 1 шт. |
| Гарантийный талон.....   | 1 шт. |

## ЭЛЕМЕНТЫ КОНСТРУКЦИИ, Рис. В

- 1 Крышка
- 2 Кувшин соковыжималки 700 мл
- 3 Блок с перекрестным ножом из нержавеющей стали с 4 лезвиями
- 4 Блок электродвигателя мульти-блендера Energy Bullet
- 5 Толкатель для соковыжималки
- 6 Блок с плоским ножом из нержавеющей стали с 2 лезвиями
- 7 Чаша для смешивания сыпучих ингредиентов 280 мл
- 8 Чаша для смешивания 500 мл
- 9 Мерный стакан
- 10 Защитное кольцо для стакана
- 11 Крышка с отверстиями для сыпучих ингредиентов
- 12 Крышка для хранения
- 13 Фильтр для соковыжималки

## ИСПОЛЬЗОВАНИЕ, Рис. С.

Распакуйте устройство и удалите весь упаковочный материал. Сохраните на месте предупреждающие наклейки (при наличии) и наклейку с серийным номером изделия на корпусе. В течение действия гарантийного срока рекомендуется сохранять заводскую упаковку и гарантийный талон.

Сразу после вскрытия заводской упаковки (иногда в течение первых дней пользования прибором) может ощущаться посторонний запах (запах нового прибора), который не является признаком неисправности прибора и не влияет на его работоспособность. С течением времени посторонний запах выветривается.

### Эксплуатация мульти-блендера Energy Bullet. Рис. С-1.

1. Установите мульти-блендер Energy Bullet на твердую ровную не скользкую поверхность. Заполните ингредиентами чашу. Следите, чтобы уровень загрузки не превышал максимальных отметок.

2. Рис. С-2. Выберите один из представленных в комплекте съемных ножей: плоский нож с 2 лезвиями рекомендуется использовать для твердых продуктов (кофе, специи, орехи и пр.), перекрестный нож с 4 лезвиями - для мягких овощей и фруктов для более тщательного измельчения. Установите нож на чашу с ингредиентами, переверните чашу для смешивания дном вниз, выровняйте стрелки на основании и поместите чашу в мульти-блендер Energy Bullet.
3. Подключите устройство к сети с соответствующими характеристиками. Для быстрого измельчения нажмите на чашу и удерживайте ее в нажатом положении. Чтобы остановить процесс измельчения, отпустите чашу для смешивания, но придерживайте ее от падения. Чтобы зафиксировать чашу в блендере для работы без помощи рук, нажмите и поверните ее по часовой стрелке. Для остановки, поверните чашу против часовой стрелки (придерживайте ее от падения).

### Сборка соковыжималки Energy Bullet. Рис. С-3.

1. Установите перекрестный нож с 4 лезвиями на дно соковыжималки.
2. Вставьте фильтр в центр кувшина соковыжималки, убедившись, что ребра попали во впадины внутри кувшина.
3. Накройте крышкой кувшин и отрегулируйте на носике прямой или обычный разлив. Убедитесь, что крышка закреплена плотно и фильтр установлен правильно.
4. Установите кувшин на базу мульти-блендера Energy Bullet.

**Перед первым использованием**, проведите один цикл приготовления в холостом режиме, предварительно залейте воду в кувшин блендера. После этого протрите корпус прибора сухой мягкой тканью. Вымойте кувшин, крышку, толкатель, мерный стакан и ножи из нержавеющей стали теплой водой с добавлением жидкости для мытья посуды. **Перед сборкой или разборкой прибора и/или отсоединением насадок убедитесь, что прибор выключен из розетки.**

 Ножи очень острые, будьте осторожны.

### ПРИМЕЧАНИЕ:

1. Для корректной работы мульти-блендера Energy Bullet рекомендуется делать 3-минутные перерывы после 1 минуты непрерывной работы для остывания двигателя.
2. Продукты помещаются в емкость до включения устройства. Следите, чтобы емкость была заполнена продуктами не более, чем на 2/3 объема.
3. Рекомендуется очистить продукты от кожуры, семечек и несъедобных частей перед измельчением/смешиванием.
4. Не рекомендуется использовать мульти-блендер Energy Bullet для таких продуктов, как замороженные овощи/фрукты, кокос, крупы и прочее.

## Эксплуатация соковыжималки.

1. Выберите ингредиенты для сока, они должны подходить по размеру в фильтр соковыжималки, положите их в кувшин для отжима.
2. Снимите верхнюю крышку стакана, поставьте стакан на базу соковыжималки, нажмите на блендер и поверните его по часовой стрелке, чтобы включить автоматический режим. Чтобы избежать затвора лезвий, который может привести к поломке двигателя, убедитесь, что двигатель работал до того, как вы положили ингредиенты в соковыжималку.
3. Добавляйте ингредиенты через отверстие в центр соковыжималки. Прижимайте ингредиенты к лезвию с помощью толкателя. Сок будет образовываться в емкости вокруг фильтра.
4. Вылейте сок в стакан из соковыжималки, предварительно удалив фильтр. Будьте внимательны, чтобы мякоть находилась отдельно от сока.

### ПРИМЕЧАНИЕ:

1. Если ингредиенты налипли на стенки кувшина во время работы, используйте толкатель.
2. Если лезвие застревает в автоматическом режиме, немедленно отключите блендер от сети.

## РЕКОМЕНДАЦИИ ПО ПРИГОТОВЛЕНИЮ

| Тип ингредиентов             | Перекрестный нож из нержавеющей стали с 4 лезвиями | Плоский нож из нержавеющей стали с 2 лезвиями |
|------------------------------|--|---|
| Фрукты/овощи с водой/молоком | ДА   | НЕТ   |
| Свинина/говядина             | ДА   | НЕТ   |
| Кофейные зерна, специи       | НЕТ  | ДА  |

Общие рекомендации по объему ингредиентов, типу чаши и ножа.

| Тип ингредиентов             | Тип чаши и ножа                | Максимальный объем                      | Максимальное время работы                      |
|------------------------------|--------------------------------|---|--|
| Фрукты/овощи с водой/молоком | Чаша 500 мл и нож с 4 лезвиями | 180 г сухого продукта + 320 мл жидкости | 2 мин с перерывом на 1 мин. Максимум 10 циклов |
| Свинина/говядина             | Чаша 500 мл и нож с 4 лезвиями | 350 г сухого продукта                   | 15 сек с перерывом на 2 мин. Максимум 3 цикла  |
| Кофейные зерна, специи       | Чаша 280 мл и нож с 2 лезвиями | 100 г сухого продукта                   | 30 сек с перерывом на 1 мин. Максимум 3 цикла  |

## ЧИСТКА И УХОД, Рис. D

- Вымойте кувшин, крышку, толкатель, мерный стакан и ножи из нержавеющей стали теплой водой с добавлением жидкости для мытья посуды.
- Протрите корпус прибора влажной тканью.
- Никогда не погружайте его в воду из-за опасности поражения электрическим током.
- Тщательно высушите все детали.



Иногда твердые ингредиенты застревают в лезвии и нуждаются в срочной очистке перед тем, как продолжить работу. Если при работе блендера в движении ножей возникает препятствие, может возникнуть поломка двигателя.



При измельчение твердых ингредиентов не используйте прибор более 1 минуты. Дайте прибору остыть не менее 5 минут.



Прибор оборудован защитой от перегрузки и перегрева. При возникновении перегрузки или перегрева прибор автоматически остановится. Выньте вилку питания прибора из розетки. Дайте прибору остыть в течение 45 минут. После этого можете продолжить использование прибора.



Максимально допустимое время непрерывного использования прибора не должно превышать 1 минуты. После этого блендер следует выключить и дать остыть не менее 3 минут. Не используйте прибор без воды или ингредиентов.



Ножи очень острые, будьте осторожны.

## ОЧИСТКА КУВШИНА БЛЕНДЕРА

| Наименование операции  | Максимальный объем или масса загружаемых продуктов в чашу блендера | Время, мин. | Примечание   |
|--|--|-------------|--|
| Добавьте в кувшин немного моющего средства и наполните теплой водой. | 500 мл   | 3 минуты    | После промывки разберите основание кувшина блендера и промойте и просушите ножи. Не используйте агрессивные моющие средства. |

## ВОЗМОЖНЫЕ НЕПОЛАДКИ И СПОСОБЫ ИХ УСТРАНЕНИЯ

| Проблема   | Причина неисправности   | Решение  |
|--|---|--|
| Блендер не включается.                           | Сетевой шнур не подключен к питающей сети или параметры питающей сети не соответствуют характеристикам электропотребления, заявленным в технических характеристиках устройства. | Подключите сетевой шнур к питающей сети с соответствующими параметрами.  |
| Блендер остановился во время работы.             | Двигатель перегрелся, сработала защита от перегрузки.   | Выключите устройство, отсоедините его от питающей сети. Подождите 15-40 минут, дайте двигателю остыть. Продолжите работу в обычном режиме.                 |
| Двигатель перегрелся, появился неприятный запах. | Превышен объем продуктов или время непрерывной работы.  | Выключите устройство, отсоедините его от питающей сети. Уменьшите количество продуктов, дождитесь остывания двигателя. Продолжите работу в обычном режиме. |
| Двигатель работает, но ножи не вращаются.        | Сломался адаптер/привод вала.   | Обратитесь в АСЦ.  |

## СЕРТИФИКАЦИЯ ПРОДУКЦИИ

Информацию о сертификате соответствия смотрите на сайте <http://www.oursson.ru> или спрашивайте копию у продавца.

| Технические характеристики                       |                                   |
|--|-----------------------------------|
| Модель   | BL1000TD                          |
| Потребляемая мощность, Вт                        | 300                               |
| Объем чаши блендера, мл                          | 500                               |
| Объем кувшина соковыжималки, мл                  | 700                               |
| Материал чаши блендера                           | Тритан                            |
| Частота вращения двигателя                       | 21000 об/мин ±15%                 |
| Уровень шума                                     | макс. 80 ДБ                       |
| Параметры электропитания                         | 220-240 В~; 50-60 Гц              |
| Класс защиты от поражения электрическим током II | II                                |
| Температура хранения и транспортировки           | от -25°C до +35°C                 |
| Температура эксплуатации                         | от +5°C до +35°C                  |
| Требования к влажности воздуха                   | 15-75% без образования конденсата |
| Размеры прибора, мм (ДхШхВ)                      | 120×120×350                       |
| Вес прибора, кг                                  | 1,7                               |

\*Продукция должна храниться в сухих, проветриваемых складских помещениях при температуре не ниже - 25°C.



Ремонт блендера должен производиться только квалифицированным специалистом уполномоченного сервисного центра OURSSON.

## СЕРВИСНОЕ ОБСЛУЖИВАНИЕ

Компания OURSSON выражает вам огромную признательность за выбор нашей продукции. Мы сделали все возможное, чтобы данное изделие удовлетворяло вашим запросам, а качество соответствовало лучшим мировым образцам. В случае, если ваше изделие марки OURSSON будет нуждаться в техническом обслуживании, просим вас обращаться в один из Уполномоченных Сервисных Центров (далее – УЦ). С полным списком УЦ и их точными адресами вы можете ознакомиться на сайте [www.oursson.ru](http://www.oursson.ru), а также позвонив по номеру телефона бесплатной горячей линии OURSSON.

В случае возникновения вопросов или проблем, связанных с продукцией OURSSON, просим вас обращаться в письменном виде в организацию, уполномоченную на принятие и удовлетворение требований потребителей в отношении товара ненадлежащего качества, либо по электронной почте [service@oursson.ru](mailto:service@oursson.ru).

### Условия Гарантийных обязательств OURSSON:

- Гарантийные обязательства OURSSON, предоставляемые УЦ OURSSON, распространяются только на модели, предназначенные OURSSON для производства или поставок и реализации на территории страны, где предоставляется гарантийное обслуживание, приобретенные в этой стране, прошедшие сертификацию на соответствие стандартам этой страны, а также маркированные официальными знаками соответствия.
- Гарантийные обязательства OURSSON действуют в рамках законодательства о защите прав потребителей и регулируются законодательством страны, на территории которой они предоставлены, и только при условии использования изделия исключительно для личных, семейных или домашних нужд. Гарантийные обязательства OURSSON не распространяются на случаи использования товаров в целях осуществления предпринимательской деятельности либо в связи с приобретением товаров в целях удовлетворения потребностей предприятий, учреждений, организаций.
- OURSSON устанавливает на свои изделия следующие сроки службы и гарантийные сроки:

| Название продукта   | Срок службы, месяцев с даты покупки | Гарантийный срок, месяцев со дня покупки |
|---|-------------------------------------|--|
| Микроволновые печи, хлебопечи, индукционные плиты   | 60                                  | 12                                       |
| Мультиварки, кухонные процессоры, кухонные машины, электрические чайники, электрические грили, аэрогрили, блендеры, миксеры, мясорубки, кофемолки, тостеры, термопоты, кофеварки, пароварки, соковыжималки, | 36                                  | 12                                       |

| Название продукта  | Срок службы, месяцев с даты покупки | Гарантийный срок, месяцев со дня покупки |
|--|-------------------------------------|--|
| измельчители, мультирезки, дегидраторы, йогуртницы, ферментаторы, мини-духовки, морозильники, холодильники, автоматические кофемашины, вспениватели, домашняя газировка, вакууматоры, вафельницы, блинницы, пончики, сэндвичницы, мультипекари, шашлычницы, посудомоечные машины | 36                                  | 12                                       |
| Кухонные весы, сифоны  | 24                                  | 12                                       |

4. Гарантийные обязательства OURSSON не распространяются на перечисленные ниже принадлежности изделия, если их замена предусмотрена конструкцией и не связана с разборкой изделия:

- Элементы питания.
  - Чехлы, ремни, шнуры для переноски, монтажные приспособления, инструмент, документацию, прилагаемую к изделию.
5. Гарантия не распространяется на недостатки, возникшие в изделии вследствие нарушения потребителем правил использования, хранения или транспортировки товара, действия третьих лиц или непреодолимой силы, включая, но не ограничиваясь следующими случаями:
- Если недостаток товара явился следствием небрежного обращения, применения товара не по назначению, нарушения условий и правил эксплуатации, изложенных в инструкции по эксплуатации, в том числе вследствие воздействия высоких или низких температур, высокой влажности или запыленности, следах вскрытия корпуса прибора и/или самостоятельного ремонта, несоответствия Государственным стандартам параметров питающих сетей, попадания внутрь корпуса прибора и/или других посторонних предметов, веществ, а также длительного использования изделия в предельных режимах его работы.
  - Повреждения и дефекты, вызванные качеством воды и отложением накипи (очистка от накипи и чистка не входит в гарантийное обслуживание и должна РЕГУЛЯРНО производиться Вами самостоятельно).
  - Если недостаток товара явился следствием несанкционированного тестирования товара или попыток внесения любых изменений в его конструкцию или его программное обеспечение, в том числе ремонта или технического обслуживания в неуполномоченной OURSSON ремонтной организации.
  - Если недостаток товара явился следствием использования нестандартных (нетиповых) и (или) некачественных принадлежностей, аксессуаров, запасных частей, элементов питания.



- Если недостаток товара связан с его применением совместно с дополнительным оборудованием (аксессуарами), отличным от дополнительного оборудования, рекомендованного OURSSON к применению с данным товаром. OURSSON не несет ответственность за качество дополнительного оборудования (аксессуаров), произведенного третьими лицами, за качество работы своих изделий совместно с таким оборудованием, а также за качество работы дополнительного оборудования производства компании OURSSON совместно с изделиями других производителей.
6. Недостатки товара, обнаруженные в период срока службы, устраняются уполномоченными на это ремонтными организациями (УЦЛ). В течение гарантийного срока устранение недостатков производится бесплатно при предъявлении оригинала заполненного гарантийного талона и документов, подтверждающих факт и дату заключения договора розничной купли-продажи (товарный, кассовый чек и т. п.). В случае отсутствия указанных документов гарантийный срок исчисляется со дня изготовления товара. При этом следует учитывать:
    - Настройка и установка (сборка, подключение и т. п.) изделия, описанная в документации, прилагаемой к нему, не входит в объем гарантийных обязательств OURSSON и могут быть выполнены как самим пользователем, так и специалистами большинства уполномоченных сервисных центров соответствующего профиля на платной основе.
    - Работы по техническому обслуживанию изделий (чистка и смазка движущихся частей, замена расходных материалов и принадлежностей и т. п.) производятся на платной основе.
  7. OURSSON не несет ответственности за возможный вред, прямо или косвенно нанесенный своей продукцией людям, домашним животным, имуществу в случае, если это произошло в результате несоблюдения правил и условий эксплуатации, хранения, транспортировки или установки изделия; умышленных или неосторожных действий потребителя или третьих лиц.
  8. Ни при каких обстоятельствах OURSSON не несет ответственности за какой-либо особый, случайный, прямой или косвенный ущерб или убытки, включая, но не ограничиваясь перечисленным, упущенную выгоду, убытки, вызванные перерывами в коммерческой, производственной или иной деятельности, возникающие в связи с использованием или невозможностью использования изделия.
  9. Вследствие постоянного совершенствования продукции элементы дизайна и некоторые технические характеристики продукта могут быть изменены без предварительного уведомления со стороны производителя.

#### Использование изделия по истечении срока службы

1. Срок службы, установленный OURSSON для данного изделия, действует только при условии использования изделия исключительно для личных, семейных или домашних нужд, а также соблюдении потребителем правил эксплуатации, хранения и транспортировки изделия. При условии аккуратного обращения с изделием и соблюдения правил

- эксплуатации фактический срок службы может превышать срок службы, установленный OURSSON.
2. По окончании срока службы изделия вам необходимо обратиться в Уполномоченный сервисный центр для проведения профилактического обслуживания изделия и определения его пригодности к дальнейшей эксплуатации. Работы по профилактическому обслуживанию изделия и его диагностике выполняются сервисными центрами на платной основе.
  3. OURSSON не рекомендует продолжать эксплуатацию изделия по окончании срока службы без проведения его профилактического обслуживания в Уполномоченном сервисном центре, т. к. в этом случае изделие может представлять опасность для жизни, здоровья или имущества потребителя.

#### Утилизация изделия

Этот бытовой электроприбор имеет обозначение согласно требованиям Директивы ЕС 2002/96/EG об отслуживших свой срок электрических и электронных приборах (waste electrical and electronic equipment – WEEE). После окончания срока службы изделия его нельзя выбрасывать вместе с обычным бытовым мусором. Вместо этого оно подлежит сдаче на утилизацию в соответствующий пункт приема электрического и электронного оборудования для последующей переработки и утилизации в соответствии с федеральным или местным законодательством. Обеспечивая правильную утилизацию данного продукта, вы помогаете сберечь природные ресурсы и предотвращаете ущерб для окружающей среды и здоровья людей, который возможен в случае ненадлежащего обращения. Более подробную информацию о пунктах приема и утилизации данного продукта можно получить в местных муниципальных органах или на предприятии по вывозу бытового мусора.



#### Дата производства

Каждому изделию присваивается уникальный серийный номер в виде буквенно-цифрового ряда и дублируется штрих-кодом, который содержит следующую информацию: название товарной группы, дату производства, порядковый номер изделия. Серийный номер располагается на задней панели продукта, на упаковке и в гарантийном талоне.



Серийный номер располагается на задней панели продукта, на упаковке и в гарантийном талоне.

- 1 Первые две буквы – соответствие товарной группе (блендер – BL).
- 2 Первые две цифры – год производства.
- 3 Вторые две цифры – месяц производства.
- 4 Последние цифры – порядковый номер изделия.



Во избежание недоразумений убедительно просим вас внимательно изучить Руководство по эксплуатации изделия и условия гарантийных обязательств, проверить правильность заполнения гарантийного талона. Гарантийный талон действителен только при наличии правильно и четко указанных: модели, серийного номера изделия, даты покупки, четких печатей фирмы-продавца, подписи покупателя. Серийный номер и модель изделия должны соответствовать указанным в гарантийном талоне. При нарушении этих условий, а также в случае, когда данные, указанные в гарантийном талоне, изменены или стерты, талон признается недействительным.

# oursson

Горячая линия OURSSON обеспечивает полную информационную поддержку деятельности компании. Профессиональные операторы быстро ответят на любой интересующий вас вопрос. Вы можете обращаться в единый центр по вопросам сервисного сопровождения, для рекомендаций специалистов по настройке и подключению, для информирования о местах продаж, с вопросами о рекламных акциях и розыгрышах, проводимых компанией, а также с любыми другими вопросами о деятельности компании.

Есть вопросы? Звоните, мы поможем!

Телефон горячей линии OURSSON (бесплатные звонки на территории России):

8 800 100 8 708

Время работы горячей линии:

понедельник-пятница с 10:00 до 20:00 (по московскому времени); без выходных, 7 дней в неделю.

Настоящая инструкция является объектом охраны в соответствии с международным и российским законодательством об авторском праве. Любое несанкционированное использование инструкции, включая копирование, тиражирование и распространение, но не ограничиваясь этим, влечет применение к виновному лицу гражданско-правовой ответственности, а также уголовной ответственности в соответствии со статьей 146 УК РФ и административной ответственности в соответствии со статьей 7.12 КоАП РФ (ст.150.4 КоАП в старой редакции).

Контактная информация:

1. Изготовитель товара OURSSON – Ningbo Dazhou Electric Appliance Co., Ltd. No.78 Modaoqiao Road., Yuyao City, Zhejiang Province, P.R. China. Изготовлено по заказу ООО «Орсон».
2. Организация, уполномоченная на принятие и удовлетворение требований потребителей в отношении товара ненадлежащего качества (уполномоченное изготовителем лицо), – ООО «Орсон», 125445, Москва, Ленинградское шоссе, д. 65, стр. 3.
3. Информация о сертификации продукта доступна на сайте [www.oursson.ru](http://www.oursson.ru).
4. Импортёр продукции OURSSON: РФ и/или страны ЕТС: смотрите информацию на упаковке товара.

OURSSON  
Сделано в КНР

EAC



[www.oursson.ru](http://www.oursson.ru)