

oursson 

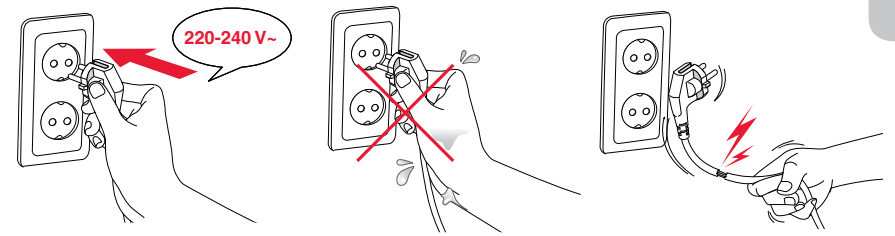
bon appétit



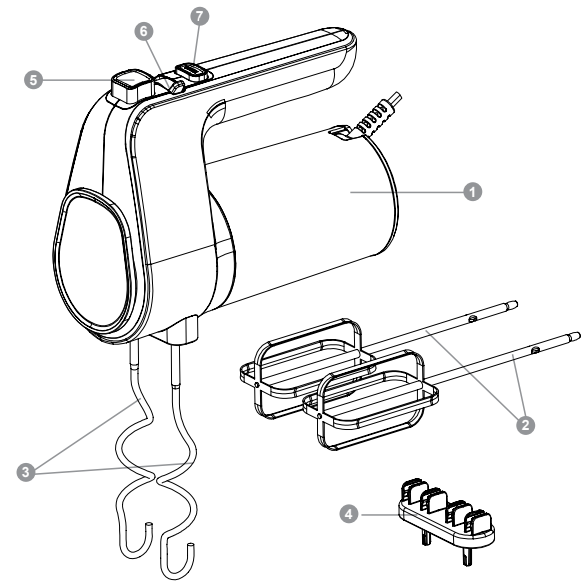
HM4001

EN Instruction manual

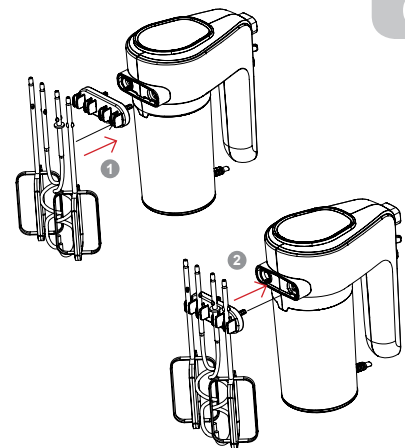
RU Руководство по эксплуатации






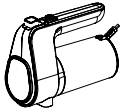
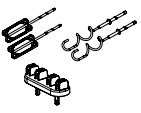
A



B



C

			
	X	X	✓
	✓	✓	✓

D

SAFETY INSTRUCTIONS, Fig. A



Danger symbol

A reminder to user about high voltage.



Warning symbol

A reminder to user about the necessity of operating exactly according to the instructions.

When using electrical appliances should take the following precautions:

- Use the device according to the following instructions manual.
- Install the device on a stable surface.
- Use only the tools, which are included in the product set.



To protect against risk of electrical shock do not put the cord in water or other liquid. If for some reason the water got into the unit, contact an authorized service center (ASC) OURSSON AG.

- For power supply, use a power grid with proper characteristics.
- Do not use the device in areas where the air can contain vapors of flammable substances.



Never attempt to open the device by yourself – it could possibly be the reason of an electrical shock can lead to product malfunction and will invalidate the manufacturer's warranty. For repair and maintenance, contact only authorized service centers meant for repair of products under the trademark OURSSON.

- When moved from a cool to a warm place and vice versa unpack it before use and wait 1-2 hours without turning it on.



In order to prevent electrical shock do not immerse the entire product or the wires into the water.

- Be particularly careful and cautious when using the device near children.
- Do not touch any hot parts, as this may cause injury.
- The power cord is specially made relatively short in order to avoid the risk of injury.
- Do not allow the cord to hang over the sharp edge of the table or touch hot surfaces.
- Do not connect this device to a grid which is overloaded with other appliances: it can lead to the fact that the device will not function properly.
- Do not install the device near gas and electric stoves and ovens.
- After use, make sure to disconnect the device from the power grid.
- Keep the device from bumps, falls, vibration and other mechanical influences.
- Make sure to disconnect the device from the power grid before cleaning or changing accessories.
- Do not use the device outdoors.
- This appliance is not intended for use by persons (including children) with reduced physical, sensory or mental capabilities, or lack of experience and knowledge. They can only use the device under the supervision of the person responsible for their safety, or after instruction on the safe use of the device. Do not allow children to play with the product.
- This product is intended only for use in the home.

EN

- If the power cord is damaged, it must be replaced by a specialist from the authorized service center (ASC) OURSSON AG to avoid danger.
- Use only the tools, which are included in the product set.
- When cleaning the appliance do not use abrasives and organic cleaners (alcohol, gasoline, etc.). When cleaning the device it is allowed to use a small amount of neutral detergent.

RECOMMENDATIONS

- Before using the device, please read the user manual. After reading, please keep it for future use.
- All illustrations in this manual are schematic representations of real objects, which may differ from the actual images.
- The operation of this device in any case does not imply the use of physical force to it, as this may cause damage to the product through the fault of the user.
- Do not leave the appliance unattended.
- During operation, do not touch moving parts with your hands or other objects to avoid personal injury.

PRODUCT SET

Body mixer	1 pc.
Beaters	2 pcs.
Dough hooks	2 pcs.
Fixing bracket	1 pc.
Instruction Manual	1 pc.
Warranty card	1 pc.

ELEMENTS OF DESIGN, Pic. B

- 1 Body mixer
- 2 Beaters
- 3 Dough hooks
- 4 Fixing bracket
- 5 Ejector button
- 6 Speed Control «0, 1, 2, 3, 4, 5, 6»
- 7 Turbo button

BEFORE THE FIRST USE

Carefully remove the product and its accessories from the box. Remove all packing materials and advertising stickers.

Save the warning stickers, index stickers (if available) and the serial number on the product!

Before using your Mixer for the first time, wash the Beaters 2 and Dough hooks 3 in warm soapy water. Dry thoroughly before use.

Wipe off the body mixer with a dry cloth. Recommendations for cleaning the device Pic. D.

USING

1. Ensure that the speed control 6 is at the «0» setting, then plug in the power source. Insert the necessary nozzles into the holes on the mixer body until they click. Beaters 2 can be inserted into some holes. The protrusions on the shafts of the nozzles 3 must coincide with the outlet openings.
2. Connect the device to the power supply. Place the nozzles in a container of ingredients. Do not use the appliance for mixing solid products!
3. Set the speed control 6 to position «1» and gradually increase the speed. Always hold the container of ingredients with your free hand and do not tilt the device during operation too much, as this may result in splashing of the products.
4. During operation, you can rotate the bowl by hand for best results.

5. Turn on the «Turbo» mode, press and hold the button 7. The device operates at maximum speed in this mode. The maximum continuous operation time in the Turbo mode is 5 minutes, the recommended pause before the next power-on is 15 minutes.
6. To turn off the hand mixer, set the speed control 6 to the «0» position, remove the nozzles from the container with ingredients and disconnect the appliance from the power supply.
7. Clean the food nozzles with a rubber or wooden spatula if necessary
8. Press the ejector button 5 to disconnect the nozzles, then disconnect the nozzles from the hand mixer.

NOTE! Do not insert a knife, spoon, fork or other metal objects while the mixer is in operation.

SPEED REGULATION

The device is equipped with a smooth speed control. To change the speed, use the slider from low to high in a clockwise direction. Turn the speed control from «0» to «6».

Speed	Attachement	Descriptions
1		For slow stirring, combining ingredients, start mixing. Work at this speed adding nuts, grated chocolate, cheese, onions and other ingredients containing slices.
2		Mix flour and other dry ingredients with liquids. Knead the yeast dough (for bread, pizza, etc.) with Dough Hooks
3		For liquid mixes, such as pancakes or waffles.
4		For thick mixes, for example, for cookies or biscuit.
5		Knead a thick dough for muffins or mashed potatoes, pumpkins. Hooks for dough for equable and faster dough mixing.
6		Whip cream, eggs and meringue mixture.

- Start mixing ingredients at low speed gradually increasing the speed of whipping to obtain a homogeneous mass. Beat the ingredients in small portions no more than 4 egg proteins at the same time.
- Do not block the ventilation openings on the mixer body, this may cause the motor to overheat.

RECOMMENDED OPERATION MODES

Product type	Recommended product amount	Attachment rotation speed	Approximate operation time
Used attachments: beaters 2			
Beating egg whites	6 pcs.	4-6	2-4 min.
Whipping cream	300 ml	1-6	4 min.
Mixing ingredients for dough	400 g	1-5	1,5-2 min.

Product type	Recommended product amount	Attachment rotation speed	Approximate operation time
Beating butter	400 ml	4-6	1 min.
Mixing butter with flour (if necessary, you can add some water for getting doughy consistency)	150 g	1-3	4 min.
Used attachments: dough hooks 3			
Kneading yeasted dough	350 g	1-5	2-3 min.
Butter	400 ml	4-6	1 min.
Mixing butter with sugar	350 g	4-6	1 min.

STORAGE, Pic. C

There is a holder for nozzles for convenience storage of beaters **2** and dough hooks **3**. After use, you can attach the nozzles **2** and **3** to the holder brackets **4**, and then insert the holder into the main unit.

CLEANING AND MAINTENANCE, Pic. D

- Wash the Beaters, Dough hooks in the dishwasher or in warm soapy water.
- Wipe the motor unit with a damp cloth. Do not lower it in water because of the danger of electric shock.
- Thoroughly dry all parts.

POSSIBLE PROBLEMS AND SOLUTIONS

Possible problem	Cause	Solution
Device doesn't turn on	No power supply	Check if the device is plugged in. Check the fuse in your home network. If all of the above is in order. See section «Service».
Device works slow	Low speed is selected	Raise the speed.
	Recommended working time is exceeded	Do not operate longer than 50 seconds for a 4 - minute interval for thick mixtures or whisk for longer than 4 minutes for a 15 - minute interval.
Excessive splashing during mixing	Too high speed is selected	Start with a low speed and increase it as the mixture thickens.
	Excessive ingredients loaded	Remove part of the ingredients in a different container.
Unsatisfactory attachments performance	Make sure that the attachments are installed correctly.	

SPECIFICATIONS

SPECIFICATIONS	
Model	HM4001
Power consumption, W	max 400
Rated voltage	220-240 V~; 50 Hz
Electric shock protection class	II
Storage and transportation temperature *	-25°C to +35°C
Operating temperature from	+5°C to +35°C
Humidity Requirements	15-75% without condensation
Product dimensions, mm (LxWxH)	188x845x152
Weight, kg	0,95

*Products must be stored in dry, ventilated warehouses at a temperature not lower than – 25°C.

PRODUCT CERTIFICATION

For information on product certification, see <http://www.oursson.com> or ask seller for a copy.



Only a qualified specialist of an authorized service center OURSSON AG can repair the device.

SERVICING

Company OURSSON AG expresses great appreciation to you for choosing our products. We have done everything possible so that this meets your needs, and the quality corresponds to the best world standards. If your OURSSON branded product will need maintenance, please contact one of the authorized service center (hereinafter – ASC). A complete list of ASC and their exact addresses can be found on the website www.oursson.com.

Warranty obligations OURSSON AG:

1. Warranty obligations OURSSON AG, provided ASC OURSSON AG, apply only to models designed OURSSON AG for the production or supply and sale within the country where the warranty service is provided, purchased in this country, certified for compliance with the standards of this country, and also marked with the official marks of conformity.
2. Warranty obligations OURSSON AG operate within the law on protection of consumer rights and are regulated by the laws of the country in which they are provided, and only when the product is used exclusively for personal, family or household purposes. Warranty obligations OURSSON AG shall not apply to uses of goods for business purposes or in connection with the acquisition of goods to meet the needs of enterprises, institutions and organizations.
3. OURSSON AG sets for its products the following terms of use and warranty periods:

Product name	Terms of use, months	Warranty Period, months
Microwave ovens breadmakers, induction hobs Multicookers, kitchen processors, electric kettles, electric grills, hand blenders, hand mixers, meat grinders, blenders, toasters, airpots, toasters, juicers, steamers, coffee makers, choppers, freezers, refrigerators, automatic coffee machines Kitchen scales	60	12

4. Warranty obligations OURSSON AG shall not apply to the following products, if their replacement is assumed and is not connected with disassembling products:
 - Batteries.
 - Cases, straps, cords for carrying, mounting accessories, tools, documentation that came with the product.
5. Warranty does not cover defects caused due to violations of the rules of consumer use, storage or transportation of the goods, actions of third parties or force majeure, including but not limited to the following cases:
 - If the defect was a result of careless handling, used

for other purposes, violations of conditions and rules of operation set forth in the instruction manual, including as a result of exposure to high or low temperatures, high humidity or dust, traces of opening the device independently and/ or self-repair, mismatch state standards for power grids, getting liquids, insects or other foreign objects, substances inside the device, as well as long-term use of the product in extreme operational modes.

- If the defect of the product was a result of unauthorized attempts to test the product or make any changes in its construction or software programs, including repair or maintenance in unauthorized service centers.
 - If the defect of the product was a result of use of non-standard and/or low quality equipment, accessories, spare parts, batteries.
 - If the defect of the product is associated with its use in conjunction with additional equipment (accessories), other than additional equipment recommended by OURSSON AG for use with this product. OURSSON AG is not responsible for the quality of the additional equipment (accessories) manufactured by third parties, for the quality of its products together with such equipment, as well as the quality of the work of the additional equipment of OURSSON AG together with the products of other manufacturers.
6. Product defects detected during the lifetime of the product are eliminated by the authorized service centers (ASC). During the warranty period, elimination of defects is free of charge with the presentation of the original certificate of guarantee and documents that confirm the fact and date of the contract of retail purchase. In the absence of such documents, warranty period is calculated from the date of manufacture of goods. It should be taken into account:
 - Setup and Installation (assembly, the connection, etc.) of the product described in the documentation attached to it, does not enter the scope of warranty OURSSON AG and can be performed by the user as well as the specialists of most authorized service centers on a paid basis.
 - Work upon maintenance of products (cleaning and lubricating the moving parts, replacement of consumables and supplies, etc.) are made on a paid basis.
 7. OURSSON AG is not responsible for any damage directly or indirectly caused by their products to people, pets, property, if it occurred as a result of non-observance of the rules and conditions of use, storage, transportation or installation of the product, intentional or negligent actions of consumer or third parties.
 8. Under no circumstances, OURSSON AG is not responsible for any special, incidental, indirect or consequential loss or damage, including but not limited

to: lost profits, damages caused by interruptions in the commercial, industrial or other activities, arising from the use of or inability to use the product.

- Due to continuous product improvement, design elements and some technical specifications are subject to change without prior notice from the manufacturer.

Using the product when after the terms of use (lifetime):

- Lifetime set by OURSSON AG for this product applies only when the product is used exclusively for personal, family or household needs, as well as the consumer observes the correct operation, storage and transportation of products. Under the condition of careful handling of the product and compliance with the rules of operation the actual life may exceed the lifetime set by OURSSON AG.
- At the end of the product lifetime, you should contact an authorized service center for to conduct a preventive maintenance of the product and determine the suitability for further use. Work on conducting a preventive maintenance of the products is also made in service centers on paid basis.
- OURSSON AG does not recommend the use of this product after the end of its lifetime without its preventive maintenance by the authorized service center, since in this case, the product can be dangerous to the life, health or property of the consumer.

Product Recycling and Disposal

This appliance has been identified in accordance with the European directive 2002/96/EG on Waste Electrical and Electronic Equipment – WEEE.

After the expiration of the lifetime, the product cannot be disposed with another household waste. Instead, it shall be deposited in the appropriate recycling collection point for electrical and electronic equipment for proper treatment and disposal in accordance with federal or local law. By disposing correctly this product, you will help to conserve natural resources and preventing the product from damaging the environment and human health. For more information on the collection point and recycling of this product, please contact your local municipal authorities or the enterprise for household waste disposal.



Date of manufacture

Each product has a unique serial number in the form of alphanumeric row and is duplicated with a barcode that contains the following information: name of the product group, date of manufacture, serial number of the product.



Serial number is located on the rear of the product, on the package and the warranty card.

- 1 The first two letters – correspondence to the product group (Hand Mixer – HM).
- 2 The first two digits – year of manufacture.
- 3 The second two digits – month of manufacture.
- 4 The last two digits – serial number of product.

To avoid misunderstandings, we highly recommend you to read carefully the instruction manual and the warranty obligations. Check the correctness of the warranty card. Warranty card is valid only if the following are correctly and clearly stated: model, serial number, date of purchase, clear stamps, buyer's signature. The serial number and the model of the device must be the same as in the warranty card. If these conditions are not fulfilled or the data specified in the warranty card was changed, the warranty card is invalid.



If you have questions or problems with OURSSON AG products – please contact us by e-mail: support@oursson.com

This manual is under protection of international and EU copyright law. Any unauthorized use of the instructions, including copying, printing and distribution, but not limited to, involves the application of the guilty person to civil liability and criminal liability.

Contact information:

- Manufacturer of goods - OURSSON AG (Orson AG) Rue du Grand-Chêne 5, 1003 Lausanne, Switzerland.
- Certification information product available on the website www.oursson.com.

OURSSON AG
Made in China



ИНСТРУКЦИЯ ПО БЕЗОПАСНОСТИ, Рис. А



Символ опасности

Напоминание пользователю о высоком напряжении.



Символ предупреждения

Напоминание пользователю о необходимости проведения всех действий в соответствии с инструкцией.

При использовании электрических приборов следует соблюдать следующие меры предосторожности:

- Используйте прибор согласно данному руководству по эксплуатации.
- Устанавливайте прибор на устойчивую поверхность.
- Используйте только приспособления, входящие в комплект устройства.
 - Чтобы предотвратить риск пожара или удара током, избегайте попадания в устройство воды и эксплуатации устройства в условиях высокой влажности. Если по каким-то причинам вода попала внутрь устройства, обратитесь в уполномоченный сервисный центр (УЦЦ) OURSSON AG.



- Для электропитания прибора используйте электросеть с надлежащими характеристиками.
- Не используйте прибор в помещениях, где в воздухе могут содержаться пары легковоспламеняющихся веществ.



- Никогда самостоятельно не вскрывайте устройство – это может стать причиной поражения электрическим током, привести к выходу прибора из строя и аннулирует гарантийные обязательства производителя. Для ремонта и технического обслуживания обращайтесь только в сервисные центры, уполномоченные для ремонта изделий торговой марки OURSSON.

- При перемещении устройства из прохладного помещения в теплое и наоборот распакуйте его перед началом эксплуатации и подождите 1-2 часа, не включая.



- В целях предотвращения поражения электрическим током не допускайте погружения проводов или всего изделия в воду.
- Будьте особенно осторожны и внимательны, если рядом с работающим прибором находятся дети.
- Не дотрагивайтесь до горячих поверхностей прибора, это может привести к травме.
- Шнур питания специально сделан относительно коротким во избежание риска получения травмы.
- Не допускайте свисания шнура через острый край стола или его касания нагретых поверхностей.
- Не подключайте данный прибор к сети, перегруженной другими электроприборами: это может привести к тому, что прибор не будет функционировать должным образом.
- Не устанавливайте изделие вблизи газовых и электрических плит, а также духовок.
- Не используйте прибор при поврежденном шнуре питания, а также в случаях, если нарушена нормальная работа изделия, если оно падало или было повреждено каким-либо другим образом.
- При отключении изделия от сети держитесь только за вилку, не тяните за провод – это может привести к повреждению провода или розетки и вызвать короткое замыкание.

- По окончании использования отключите изделие от сети.
- Оберегайте устройство от ударов, падений, вибраций и иных механических воздействий.
- Обязательно отключайте устройство от сети перед началом мойки.
- Не используйте изделие вне помещений.
- Этот прибор не предназначен для использования людьми (включая детей) с ограниченными физическими, сенсорными или умственными способностями, или нехваткой опыта и знаний. Они могут пользоваться прибором только под наблюдением человека, ответственного за их безопасностью, или после инструктажа по безопасному использованию прибора. Не позволяйте детям играть с изделием.
- Настоящее изделие предназначено только для использования в быту.
- Не используйте при чистке прибора абразивные материалы и органические чистящие средства (спирт, бензин и т.д.). Для чистки корпуса прибора допускается использование небольшого количества нейтрального моющего средства.

РЕКОМЕНДАЦИИ

- Перед использованием устройства внимательно ознакомьтесь с руководством пользователя. После чтения, пожалуйста, сохраните его для использования в будущем.
- Все иллюстрации, приведенные в данной инструкции, являются схематичными изображениями реальных объектов, которые могут отличаться от них.



• Не оставляйте работающий прибор без присмотра.

- Во время работы прибора не касайтесь движущихся частей руками или другими предметами во избежание травм.

Эксплуатация данного прибора ни в коем случае не подразумевает применение к нему физической силы, так как это может привести к поломке изделия по вине пользователя.

КОМПЛЕКТАЦИЯ

Миксер	1 шт.
Насадка для взбивания	2 шт.
Насадка для замешивания теста	2 шт.
Держатель для насадок	1 шт.
Руководство по эксплуатации	1 шт.
Гарантийный талон	1 шт.

ЭЛЕМЕНТЫ КОНСТРУКЦИИ, Рис. В

- 1 Корпус миксера
- 2 Насадка для взбивания/смешивания
- 3 Насадка для замешивания теста
- 4 Держатель для насадок
- 5 Кнопка извлечения насадок
- 6 Переключатель скоростей «0, 1, 2, 3, 4, 5, 6»
- 7 Режим «Турбо»

ПЕРЕД ПЕРВЫМ ИСПОЛЬЗОВАНИЕМ

Аккуратно достаньте изделие и его комплектующие из коробки. Удалите все упаковочные материалы и рекламные наклейки.

Обязательно сохраните на месте предупреждающие наклейки, наклейки-указатели (при наличии) и табличку с серийным номером изделия на его корпусе!

Перед первым использованием миксера вымойте насадки 2 3 в теплой воде с добавлением жидкости для мытья посуды, ополосните и тщательно просушите. Корпус миксера протрите сухой тканью. Рекомендации по очистке прибора Рис. D.

ИСПОЛЬЗОВАНИЕ

1. Убедитесь, что прибор отключен от электросети, переключатель скоростей 6 находится в положении «0». Вставьте необходимые насадки в отверстия на корпусе прибора до щелчка. Насадки 2 могут быть вставлены в любое гнездо. Выступы на валах насадок 3 должны совпадать с выходными отверстиями.

РЕГУЛИРОВКА СКОРОСТИ

Прибор оснащен плавной регулировкой скорости вращения. Изменение скорости происходит с помощью регулятора от низкой к высокой по часовой стрелке. Поверните переключатель режимов работы от «0» до «6».

Скорость	Насадка	Описание
1		Для медленного размешивания, комбинирования ингредиентов, начала смешивания. Работайте на этой скорости добавляя орехи, тертый шоколад, сыр, лук и прочие ингредиенты, содержащие кусочки.
2		Смешивайте муку и другие сухие ингредиенты с жидкостями. Замешивайте дрожжевое тесто (для хлеба, пиццы и пр.) при помощи насадки для теста.
3		Для жидких смесей, например, для блинов или вафель.
4		Для густых смесей, например, для печенья или бисквита.
5		Замешивайте густое тесто для кексов или пюре из картофеля, тыквы. Насадка для теста для равномерного и более быстрого смешивания теста.
6		Взбивайте сливки, белки и смеси для безе.

2. Подключите прибор к электросети. Поместите насадки в емкость с ингредиентами. Не используйте прибор для смешивания твердых продуктов!
3. Установите переключатель скоростей 6 в положение «1» и постепенно увеличивайте скорость. Всегда удерживайте емкость с ингредиентами свободной рукой и не наклоняйте прибор во время работы слишком сильно — это может привести к разбрызгиванию продуктов.
4. Во время работы вы можете вращать чашу рукой для достижения наилучших результатов.
5. Для включения режима «Турбо» нажмите и удерживайте кнопку 7. В данном режиме прибор работает с максимальной скоростью. Максимальное время непрерывной работы в режиме «Турбо» составляет 5 минут, рекомендуемая пауза перед следующим включением — 15 минут.
6. Чтобы выключить прибор, установите переключатель скоростей 6 в положение «0», извлеките насадки из емкости с ингредиентами и отсоедините прибор от электросети.
7. При необходимости очистите насадки от продуктов резиновой или деревянной лопаткой.
8. Нажмите на кнопку для отсоединения насадок 5, затем отсоедините насадки от миксера.

Примечание: Не вставляйте нож, ложку, вилку или другие металлические предметы во время работы миксера.



- Для получения однородной массы начинайте смешивать ингредиенты на низкой скорости, постепенно увеличивая скорость взбивания. Взбивайте ингредиенты небольшими порциями - не более 4 белков одновременно.

- Не закрывайте вентиляционные отверстия на корпусе миксера, это может вызвать перегрев электродвигателя.

РЕКОМЕНДУЕМЫЕ РЕЖИМЫ РАБОТЫ

Тип продукта	Рекомендуемое количество продукта	Скорость вращения насадок	Приблизительное время работы
Используемые насадки: для взбивания/смешивания 2			
Взбивание яичных белков	6 шт.	4-6	2-4 мин.
Взбивание сливок	300 мл	1-6	4 мин.
Смешивание ингредиентов для теста	400 г	1-5	1,5-2 мин.
Взбивание сливочного масла	400 мл	4-6	1 мин.
Смешивание масла с мукой (при необходимости можно добавить немного воды для получения тестообразной консистенции)	150 г	1-3	4 мин.
Используемые насадки: для замешивания теста 3			
Замешивание дрожжевого теста	350 г	1-5	2-3 мин.
Сливочное масло	400 мл	4-6	1 мин.
Смешивание масла с сахаром	350 г	4-6	1 мин.

ХРАНЕНИЕ. Рис. С

Для удобства хранения насадок для взбивания/смешивания 2 и насадок для замешивания теста 3 предусмотрен держатель для насадок. После использования вы можете закрепить насадки 2 и 3 в кронштейны держателя, а затем вставить держатель 4 в основной блок.

ЧИСТКА И УХОД, Рис. D

- Промойте насадки для взбивания/смешивания, насадки для замешивания теста в посудомоечной машине или в теплой мыльной воде.
- Протрите корпус миксера влажной тканью. Никогда не погружайте его в воду из-за опасности поражения электрическим током.
- Тщательно высушите все детали.

ВОЗМОЖНЫЕ НЕПОЛАДКИ И СПОСОБЫ ИХ УСТРАНЕНИЯ

Возможная проблема	Причины	Способы решения
Прибор не включается	Нет питания	Проверьте, включен ли прибор. Проверьте предохранитель вашей домашней сети. Если все указанное выше в порядке, см. раздел: «Сервисное обслуживание».
Прибор замедляет работу или работает медленно	Выбрана слишком низкая скорость	Увеличьте скорость.
	Превышено рекомендованное время работы	Не включайте прибор дольше чем на 50 секунд в течение 4 - минутного интервала для густых смесей, или венчик дольше чем на 4 минуты в течение 15 - минутного интервала.
Чрезмерное разбрызгивание во время смешивания	Выбрана слишком высокая скорость	Начните с более низкой скорости и увеличивайте ее по мере загустения смеси.
	Загрузили чрезмерное количество ингредиентов	Уберите часть ингредиентов в другую емкость.
Неудовлетворительная работа насадок	Убедитесь, что насадки установлены правильно.	

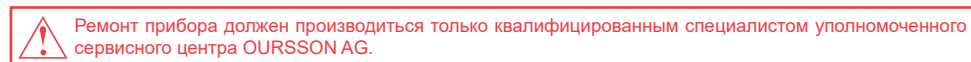
ТЕХНИЧЕСКИЕ ХАРАКТЕРИСТИКИ

Технические характеристики	
Модель	HM4001
Макс. потребляемая мощность, Вт	max 400
Параметры электропитания	220-240 В~; 50 Гц
Класс защиты от поражения электрическим током	II
Температура хранения и транспортировки*	от -25°C до +35°C
Температура эксплуатации	от +5°C до +35°C
Требования к влажности воздуха при хранении, транспортировке и эксплуатации	15-75% без образования конденсата
Габариты прибора, мм	188x84,5x152
Вес прибора, кг	0,95

*Продукция должна храниться в сухих, проветриваемых складских помещениях при температуре не ниже - 25°C.

СЕРТИФИКАЦИЯ ПРОДУКЦИИ

Информацию о сертификате соответствия смотрите на сайте <http://www.oursson.com/rus/ru/about/partners/certificates/#tab0> или спрашивайте копию у продавца.



Ремонт прибора должен производиться только квалифицированным специалистом уполномоченного сервисного центра OURSSON AG.

СЕРВИСНОЕ ОБСЛУЖИВАНИЕ

Компания OURSSON AG выражает вам огромную признательность за выбор нашей продукции. Мы сделали все возможное, чтобы данное изделие удовлетворило вашим запросам, а качество соответствовало лучшим мировым образцам. В случае, если ваше изделие марки OURSSON будет нуждаться в техническом обслуживании, просим вас обращаться в один из Уполномоченных Сервисных Центров (далее – УЦЛ). С полным списком УЦЛ и их точными адресами вы можете ознакомиться на сайте www.oursson.ru, а также позвонив по номеру телефона бесплатной горячей линии OURSSON AG.

В случае возникновения вопросов или проблем, связанных с продукцией OURSSON AG, просим вас обращаться в письменном виде в организацию, уполномоченную на принятие и удовлетворение требований потребителей в отношении товара ненадлежащего качества, либо по электронной почте info@oursson.ru.

Условия Гарантийных обязательств OURSSON AG:

- Гарантийные обязательства OURSSON AG, предоставляемые УЦЛ OURSSON AG, распространяются только на модели, предназначенные OURSSON AG для производства или поставок и реализации на территории страны, где предоставляется гарантийное обслуживание, приобретенные в этой стране, прошедшие сертификацию на соответствие стандартам этой страны, а также маркированные официальными знаками соответствия.
- Гарантийные обязательства OURSSON AG действуют в рамках законодательства

о защите прав потребителей и регулируются законодательством страны, на территории которой они предоставлены, и только при условии использования изделия исключительно для личных, семейных или домашних нужд. Гарантийные обязательства OURSSON AG не распространяются на случаи использования товаров в целях осуществления предпринимательской деятельности либо в связи с приобретением товаров в целях удовлетворения потребностей предприятий, учреждений, организаций.

- OURSSON AG устанавливает на свои изделия следующие сроки службы и гарантийные сроки:

Название продукта	Срок службы, месяцев с даты покупки	Гарантийный срок, месяцев со дня покупки
Микроволновые печи, хлебопечи, индукционные плиты	60	12
Мультиварки, кухонные процессоры, кухонные машины, электрические чайники, электрические грили, блендеры, миксеры, мясорубки, тостеры, термопоты, ростеры, кофеварки, пароварки, соковыжималки, измельчители, дегидраторы, йогуртницы, ферментаторы, минидуховки, морозильники, холодильники, автоматические кофемашины, вспениватели	36	12
Кухонные весы, сифоны	24	12

- Гарантийные обязательства OURSSON AG не распространяются на перечисленные ниже принадлежности изделия, если их замена предусмотрена конструкцией и не связана с разборкой изделия:

- Элементы питания.
 - Чехлы, ремни, шнуры для переноски, монтажные приспособления, инструмент, документацию, прилагаемую к изделию.
- Гарантия не распространяется на недостатки, возникшие в изделии вследствие нарушения потребителем правил использования, хранения или транспортировки товара, действия третьих лиц или непреодолимой силы, включая, но не ограничиваясь следующими случаями:

- Если недостаток товара явился следствием небрежного обращения, применения товара не по назначению, нарушения условий и правил эксплуатации, изложенных в инструкции по эксплуатации, в том числе вследствие воздействия высоких или низких температур, высокой влажности или запыленности, следов вскрытия корпуса прибора и/или самостоятельного ремонта, несоответствия Государственным стандартам параметров питающих сетей, попадания внутрь корпуса жидкости, насекомых и других посторонних предметов, веществ, а также длительного использования изделия в предельных режимах его работы.

- Повреждения и дефекты, вызванные качеством воды и отложением накипи (очистка от накипи и чистка не входит в гарантийное обслуживание и должна РЕГУЛЯРНО производиться Вами самостоятельно).

- Если недостаток товара явился следствием несанкционированного тестирования товара или попыток внесения любых изменений в его конструкцию или его программное обеспечение, в том числе ремонта или технического обслуживания в неуполномоченной OURSSON AG ремонтной организации.

- Если недостаток товара явился следствием использования нестандартных (нетиповых) и (или) некачественных принадлежностей, аксессуаров, запасных частей, элементов питания.

- Если недостаток товара связан с его применением совместно с дополнительным оборудованием (аксессуарами), отличным от дополнительного оборудования, рекомендованного OURSSON AG к применению с данным товаром. OURSSON AG не несет ответственность за качество дополнительного оборудования (аксессуаров), произведенного третьими лицами, за качество работы своих изделий совместно с таким оборудованием, а также за качество работы дополнительного оборудования производства компании OURSSON AG совместно с изделиями других производителей.

- Недостатки товара, обнаруженные в период срока службы, устраняются уполномоченными на

это ремонтными организациями (УЦЛ). В течение гарантийного срока устранения недостатков производится бесплатно при предъявлении оригинала заполненного гарантийного талона и документов, подтверждающих факт и дату заключения договора розничной купли-продажи (товарный, кассовый чек и т. п.). В случае отсутствия указанных документов гарантийный срок исчисляется со дня изготовления товара. При этом следует учитывать:

- Настройка и установка (сборка, подключение и т. п.) изделия, описанная в документации, прилагаемой к нему, не входит в объем гарантийных обязательств OURSSON AG и могут быть выполнены как самим пользователем, так и специалистами большинства уполномоченных сервисных центров соответствующего профиля на платной основе.
- Работы по техническому обслуживанию изделий (чистка и смазка движущихся частей, замена расходных материалов и принадлежностей и т. п.) производятся на платной основе.

- OURSSON AG не несет ответственности за возможный вред, прямо или косвенно нанесенный своей продукцией людям, домашним животным, имуществу в случае, если это произошло в результате несоблюдения правил и условий эксплуатации, хранения, транспортировки или установки изделия; умышленных или неосторожных действий потребителя или третьих лиц.

- Ни при каких обстоятельствах OURSSON AG не несет ответственности за какой-либо особый, случайный, прямой или косвенный ущерб или убытки, включая, но не ограничиваясь перечисленным, упущенную выгоду, убытки, вызванные перерывами в коммерческой, производственной или иной деятельности, возникающие в связи с использованием или невозможностью использования изделия.

- Вследствие постоянного совершенствования продукции элементы дизайна и некоторые технические характеристики продукта могут быть изменены без предварительного уведомления со стороны производителя.

Использование изделия по истечении срока службы

- Срок службы, установленный OURSSON AG для данного изделия, действует только при условии использования изделия исключительно для личных, семейных или домашних нужд, а также соблюдении потребителем правил эксплуатации, хранения и транспортировки изделия. При условии аккуратного обращения с изделием и соблюдения правил эксплуатации фактический срок службы может превышать срок службы, установленный OURSSON AG.

- По окончании срока службы изделия вам необходимо обратиться в Уполномоченный сервисный центр для проведения профилактического обслуживания изделия и определения его пригодности к дальнейшей эксплуатации. Работы по профилактическому

- обслуживанию изделия и его диагностике выполняются сервисными центрами на платной основе.
3. OURSSON AG не рекомендует продолжать эксплуатацию изделия по окончании срока службы без проведения его профилактического обслуживания в Уполномоченном сервисном центре, т. к. в этом случае изделие может представлять опасность для жизни, здоровья или имущества потребителя.

Утилизация изделия

Этот бытовой электроприбор имеет обозначение согласно требованиям Директивы ЕС 2002/96/EG об отслуживших свой срок электрических и электронных приборах (waste electrical and electronic equipment – WEEE). После окончания срока службы изделия его нельзя выбрасывать вместе с обычным бытовым мусором. Вместо этого оно подлежит сдаче на утилизацию в соответствующий пункт приема электрического и электронного оборудования для последующей переработки и утилизации в соответствии с федеральным или местным законодательством. Обеспечивая правильную утилизацию данного продукта, вы помогаете сберечь природные ресурсы и предотвращаете ущерб для окружающей среды и здоровья людей, который возможен в случае ненадлежащего обращения. Более подробную информацию о пунктах приема и утилизации данного продукта можно получить в местных муниципальных органах или на предприятии по вывозу бытового мусора.



Дата производства

Каждому изделию присваивается уникальный серийный номер в виде буквенно-цифрового ряда и дублируется штрих-кодом, который содержит следующую информацию: название товарной группы, дату производства, порядковый номер изделия. Серийный номер располагается на задней панели продукта, на упаковке и в гарантийном талоне.



Серийный номер располагается на задней панели продукта, на упаковке и в гарантийном талоне.

- ❶ Первые две буквы – соответствие товарной группе (ручной миксер - HM).
- ❷ Первые две цифры – год производства.
- ❸ Вторые две цифры – месяц производства.
- ❹ Последние цифры – порядковый номер изделия.

Во избежание недоразумений убедительно просим вас внимательно изучить Руководство по эксплуатации изделия и условия гарантийных обязательств, проверить правильность заполнения гарантийного талона. Гарантийный талон действителен только при наличии правильно и четко указанных: модели, серийного номера изделия, даты покупки, четких печатей фирмы-продавца, подписи покупателя. Серийный номер и модель изделия должны соответствовать указанным в гарантийном талоне. При нарушении этих условий, а также в случае, когда данные, указанные в гарантийном талоне, изменены или стерты, талон признается недействительным.



Горячая линия OURSSON AG обеспечивает полную информационную поддержку деятельности компании в России, странах СНГ и Балтии. Профессиональные операторы быстро ответят на любой интересующий вас вопрос. Вы можете обращаться в единый центр по вопросам сервисного сопровождения, для рекомендаций специалистов по настройке и подключению, для информирования о местах продаж, с вопросами о рекламных акциях и розыгрышах, проводимых компанией, а также с любыми другими вопросами о деятельности компании на территории России, стран СНГ и Балтии.

Есть вопросы? Звоните, мы поможем!

Телефон горячей линии OURSSON AG (бесплатные звонки со стационарных телефонов):

8 800 100 8 708

Время работы горячей линии:

понедельник-пятница с 10:00 до 20:00 (по московскому времени); без выходных, 7 дней в неделю.

Настоящая инструкция является объектом охраны в соответствии с международным и российским законодательством об авторском праве. Любое несанкционированное использование инструкции, включая копирование, тиражирование и распространение, но не ограничиваясь этим, влечет применение к виновному лицу гражданско-правовой ответственности, а также уголовной ответственности в соответствии со статьей 146 УК РФ и административной ответственности в соответствии со статьей 7.12 КоАП РФ (ст.150.4 КоАП в старой редакции).

Контактная информация:

1. Изготовитель товара – OURSSON AG (OPCON AG), Ул. Гран-Шен 5, 1003 Лозанна, Швейцария.
2. Организация, уполномоченная на принятие и удовлетворение требований потребителей в отношении товара ненадлежащего качества (уполномоченное изготовителем лицо), – ООО «OPCON», 125445, Москва, Ленинградское шоссе, д. 65, стр. 3.
3. Информация о сертификации продукта доступна на сайте www.oursson.com.
4. Импортёр продукции OURSSON AG: РФ и/или страны ETC: смотрите информацию на упаковке товара.

OURSSON AG
Сделано в КНР

forum.oursson.ru



Скачайте мобильное приложение с рецептами к технике Oursson



www.oursson.com